

### User Proven Features:

- **Operator Comfort...**  
*...Suspends deheader at working height*
- **Safety...**  
*...Prevents deheader from being dropped*  
*...Keeps power cord clear of operation*
- **Portable...**  
*...or semi-permanent by bolting to floor*
- **Convenience...**  
*...Straddles conveyor lines*
- **Versatile...**  
*...Works with either electric or air models*
- **Availability...**  
*...Delivery from stock UPS*

## Drum Deheader Tower

### Makes Wizard deheading safer than ever...

Keeping the Wizard Deheader suspended prevents accidents that may cause injury to the operator or damage to the deheader if dropped.

The cord is held clear of operator by the power cord support arm. A 360 degree electric or air swivel connector prevents cord from tangling.

For added safety, the tower is painted a bright, safety orange.

### Makes Wizard deheading easier than ever...

Suspending the Wizard Deheader at a convenient working height provides comfort for the operator by eliminating bending to pick up and place the deheader on the floor.

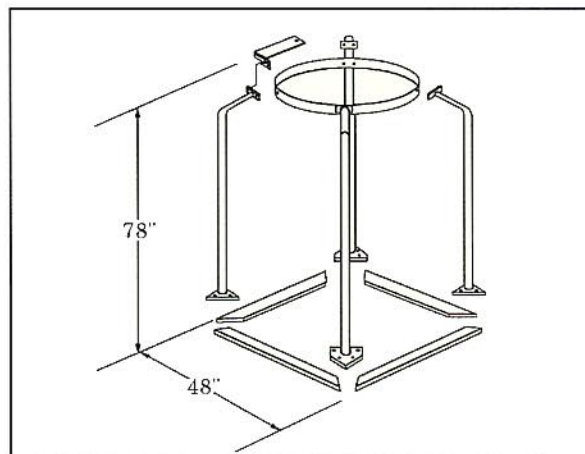
Deheader securely attaches to a chain and yet can be easily removed when required at other locations or job sites.

### Makes Wizard deheading more versatile than ever...

Fully assembled, the tower is portable and can easily be moved to different locations, or if desired, can be made semi-permanent by bolting it to the floor.

For ease in maneuvering the tower to the drum, the tower can be assembled using only 3 floor braces. This feature is ideal when deheading heavy, full drums.

The tower can also straddle conveyor lines for faster, more convenient deheading.



Tower is conveniently packed for economical shipping. Immediate delivery via UPS is available in 3 cartons weighing 29, 48 and 48 pounds.

Tower can be easily assembled or disassembled with common tools in 30 minutes.